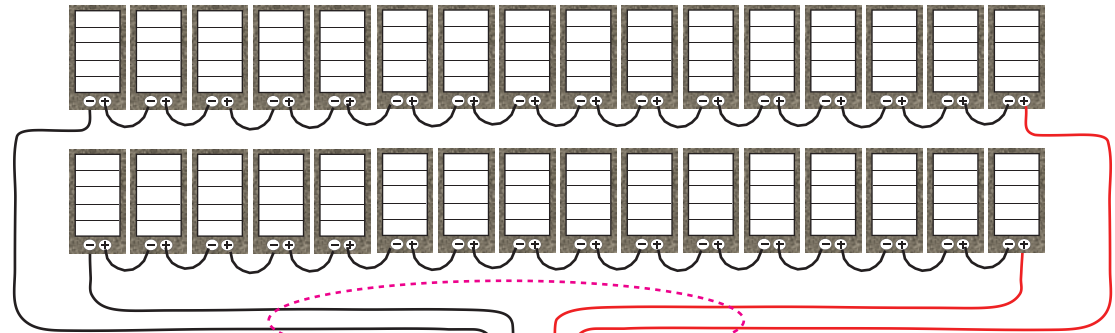


PVL-68 32 Modules  
2 strings of 16 in series



12 GA MC Cable

**PSPV COMBINER  
BOX**

With 2-OBFH fuse  
holders and 2-10  
AMP fuses

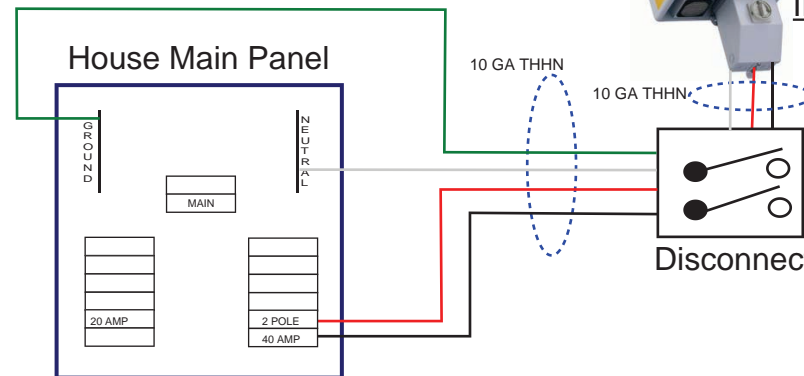
8 GA THHN

**SB3000US  
INVERTER**

10 GA THHN

10 GA THHN

**Disconnect**



1. All module frames to be grounded with #6 bare stranded copper wire to 8'x1/2" copper ground rod.
2. All combiner boxes, inverters, disconnects, and main panel grounded to same ground rod per NEC code.
3. All wires to be run in 3/4" conduit per NEC code.
4. General Notes - this design is not intended to be a complete design and is only for reference. All installations should meet National and Local Codes. Contact local licensed professionals to ensure installation meets all applicable codes.

Revision #:	Scale:	Solar System Plan:	Solar System Design by: Leon Bontrager
Date: 2/15/2008	None	Inovateus Development, Inc. 2.1 KW Uni-Solar PV System	Home & Mobile Energy