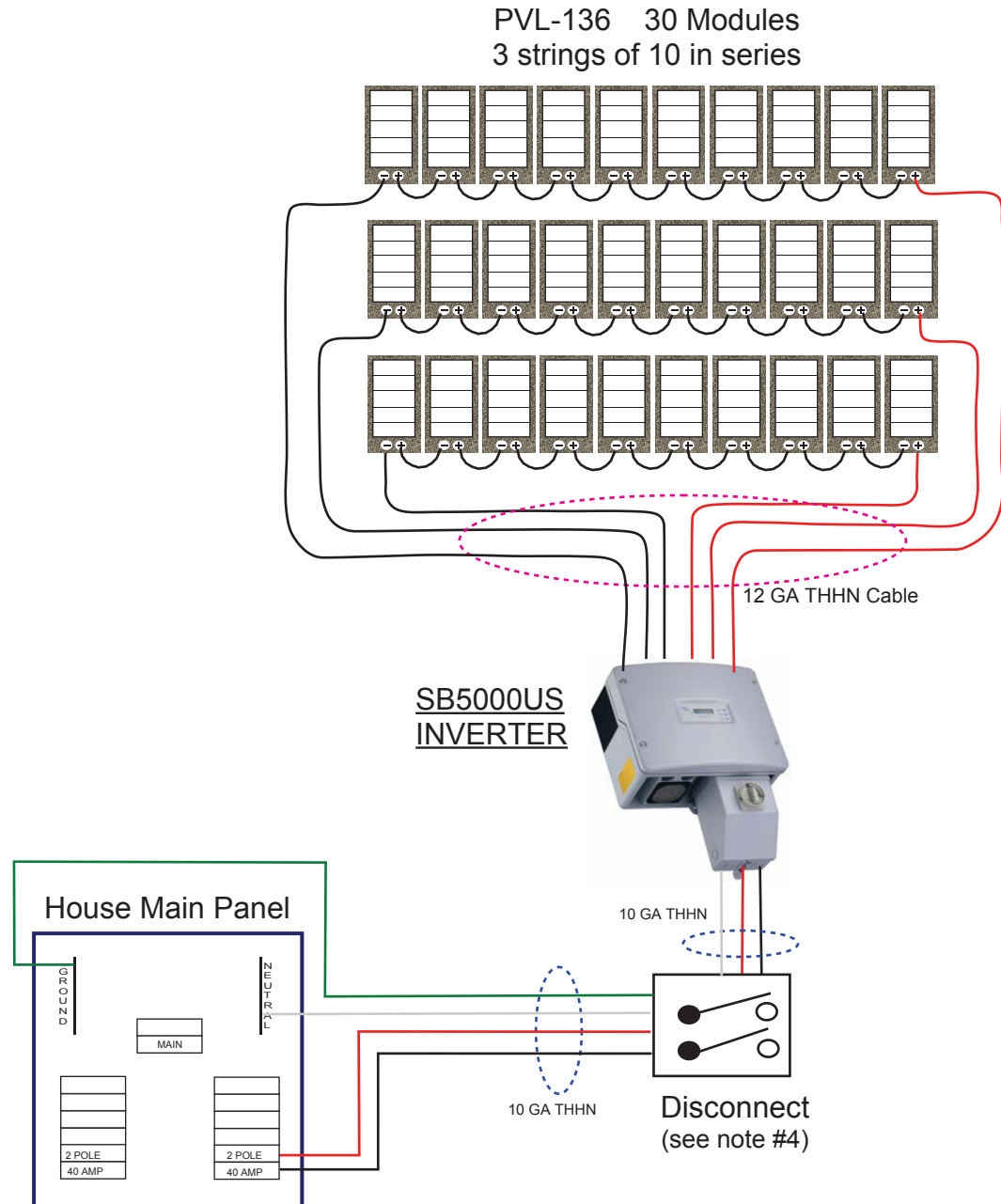


1. All combiner boxes, inverters, disconnects, and main panel grounded to same ground rod per NEC code.
2. All wires to be run in  $\frac{3}{4}$  or 1" conduit per NEC code.
3. General Notes - this design is not intended to be a complete design and is only for reference. All installations should meet National and Local Codes. Contact local licensed professionals to ensure installation meets all applicable codes.
4. Disconnects need to be installed on exterior of building. They need to be accessible at all times for service.



Revision #:	Scale:	Solar System Plan: Defiance, OH	Solar System Design by: Leon Bontrager
Date: 9/2/08	None	4.1 KW Uni-Solar PV System	Home & Mobile Energy