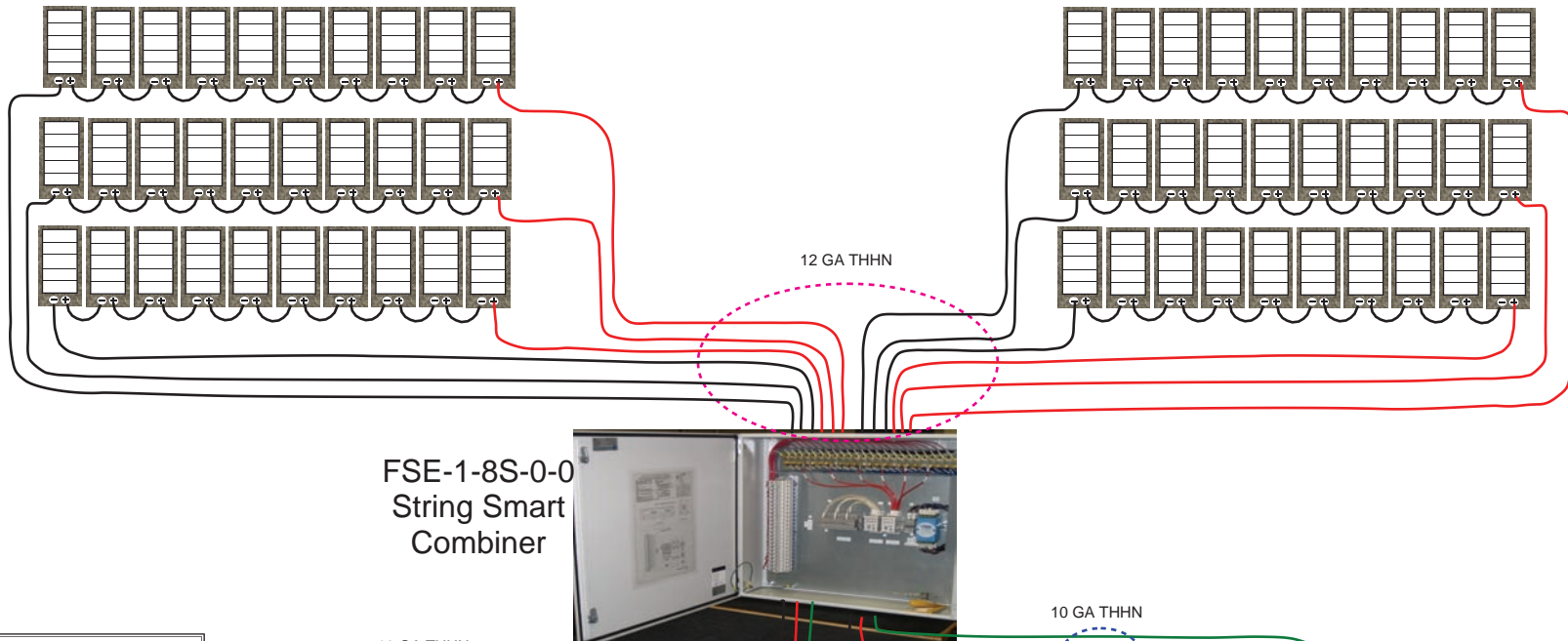


PVL-136 30 Modules
3 strings of 10 in series

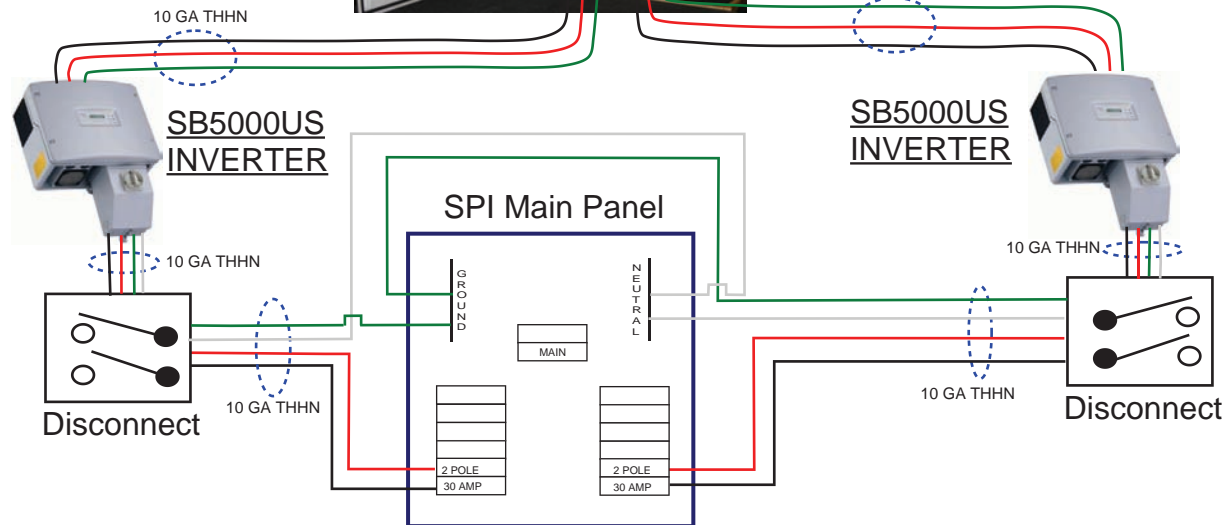
PVL-136 30 Modules
3 strings of 10 in series



FSE-1-8S-0-0
String Smart
Combiner

10 GA THHN

1. All combiner boxes, inverters, disconnects, and main panel grounded to same ground rod per NEC code.
2. All wires to be run in ¾ or 1" conduit per NEC code.
3. General Notes - this design is not intended to be a complete design and is only for reference. All installations should meet National and Local Codes. Contact local licensed professionals to ensure installation meets all applicable codes.



Revision #:	Scale:	Solar System Plan: SPI	Solar System Design by: Leon Bontrager
Date: 5/15/08	None	Inovateus Development, Inc. 8.2 KW Uni-Solar PV System	Home & Mobile Energy